



Overview

The CVK101035A Universal Split Base HDPE Pedestal is a ground, wall, pole, or pad mountable pedestal that can be used for a variety of applications to splice, patch, drop, express optical fiber or coax drops to subscribers. It can also be used to house a terminal or closure. A wide variety of accessories and accessory kits are available for factory or on site customization.

Pedestals are available to drop off most industry standard or common connector types including Corning Optitap® and Evolve Push Lok®, Commscope DLX, standard SC, LC, or ODVA.

Pedestals hold up to twelve 12, 24, or 48 fiber splice trays. Trays are available for single fiber or ribbon splicing. Trays are available with splitters.

Features

- [+] Designed and tested in accordance to Telcordia GR-13-CORE
- [+] Two- piece split base allows contractors to place the pedestal over conduit fed cable loops and can be used to refurbish damaged pedestals.
- [+] Provides adequate protection for splices and connectors without need for a “box in a box”.
- [+] Technicians have ample 360-degree access to splicing and connection areas.
- [+] Stake is included standard.



Model CVK101035A Universal Split Base Pedestal



Split Base



Stake can be mounted externally for pole or wall mounting.

Optitap® and Evolv Pushlok are registered trademarks of Corning Optical Communications

*Call your FiberSource Representative for type availability. Some variations may have limited availability or may be subject to minimum order

Phone 888.342.3776 | orders@fibersource.net | www.FiberSource.net

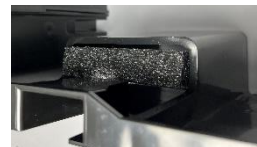


- [+] Cap attaches to the base using a self-actuating lock using a Bellcore 216 Hex Lock Can Wrench
- [+] Accommodates up to 288 Spliced Fibers. Can Express Through Up To 432 Ribbon or 288 Loose Tube
- [+] Internal tunnel accessible from outer side allows placement of drops without disturbing internal soil and gravel.
- [+] HDPE Outer Housing
- [+] Accepts Most Splice Tray Brands
- [+] A wide variety of accessories are available for splicing, grounding, and patching.
- [+] All Stainless-Steel Hardware
- [+] Frame with accessories can be mounted in rear or center position.
- [+] Entire frame can be removed for splicing.
- [+] Available LGX bracket provides mounting capability for Coex modules, cassettes, WDM's, Splitters, adapter plates.
- [+] Stake can mount internally or externally and is also reversible.
- [+] Pedestal can mount directly to a pole or wall.
- [+] Tapered base helps keep ped erect and secure with or without stake.
- [+] Square design provides more usable working space than similar size round pedestals.
- [+] Standard 811 Label is available. Custom labels are also available.
- [+] **MADE IN USA Meets Buy America & Buy American ACT and Local and State Requirements for All Grants**

Benefits

- [+] Reduces Installation Time
- [+] Reduced cost compared to handhole or aerial terminal and splice points.
- [+] Versatile design allows base unit to be customized for virtually any application, reducing inventory costs.
- [+] Provides protection of fiber splices and connectors from dirt, water, flying insects, rodents, floods
- [+] Allows easy access to splices, drops, and terminals.
- [+] Scalable Architecture Allows Growth To Match User Take-Rate. Drops can be added easily without disturbing other subscribers.
- [+] Compatible with existing plant
- [+] Slim profile and unobtrusive
- [+] Mounts On Wall, Pole, Pad (ground), or Vault Applications

[Refer to ordering guide for pedestal configuration and accessory part numbers.](#)



Internal Tunnel for Easy Drop Access



Knockout for bringing drops out



Hoop Bracket assembly is easily removable and can be mounted either centrally or at rear (as shown).

Optitap® and Evolv Pushlok are registered trademarks of Corning Optical Communications

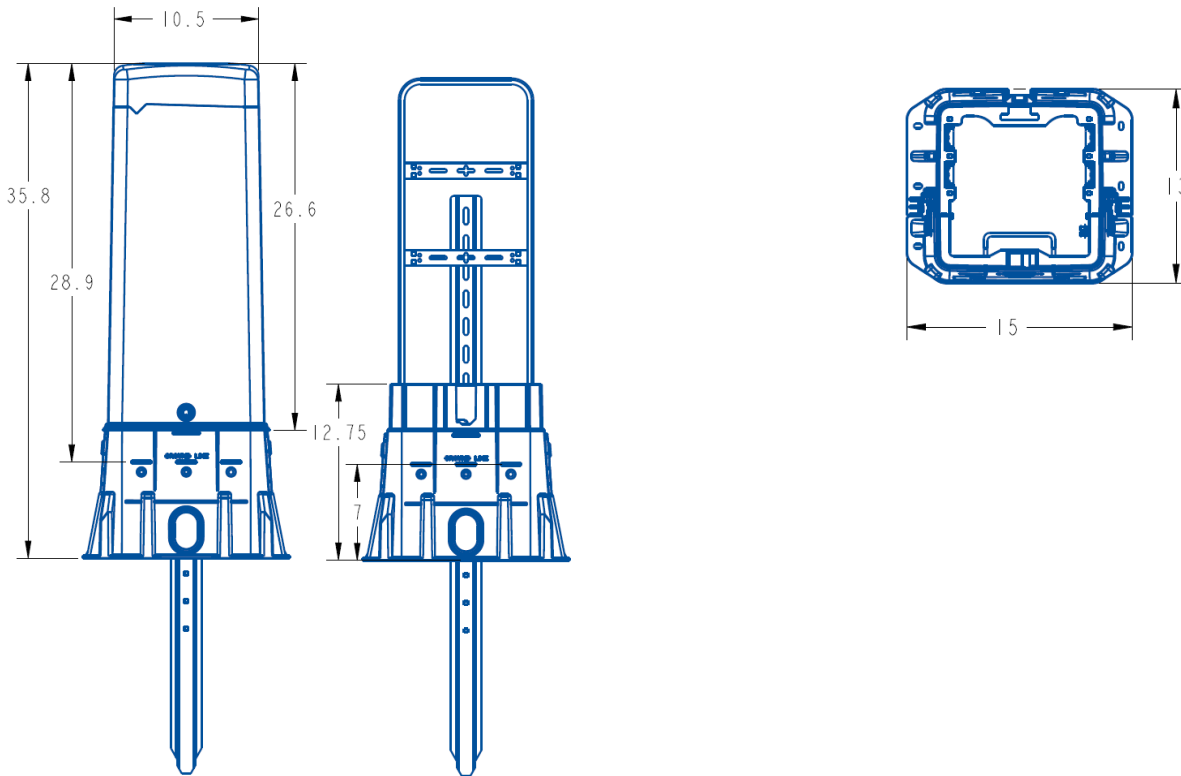
*Call your FiberSource Representative for type availability. Some variations may have limited availability or may be subject to minimum order

Phone 888.342.3776 | orders@fibersource.net | www.FiberSource.net



Product Specifications

Size	10"X10"X35"	
Drop (Quantity)	12	
Splitters	1X4, 1X8, 1X16, 1X32	
12 Fiber Ribbon Storage	72 Ribbons	
Loose Tube Storage (14 Feet)	24 Tubes	
Splice tray Capacity	12 Fibers / Tray	72
	24 Fibers / Tray	144
	48 Fibers / Tray	288
	12 Ribbons / Tray	864



Optitap® is a registered trademark of Corning Optical Communications

*Call your FiberSource Representative for type availability. Some variations may have limited availability or may be subject to minimum order

Phone 888.342.3776 | orders@fibersource.net | www.FiberSource.net



10" X 10" X 35" HDPE SPLIT BASE PEDESTAL PRICING (MOQ = 24 pcs -- Total Order Qty must be divisible by 24)					
Distributor Part#	Configuration Summary	Description			BABA CERTIFIED MADE IN USA
CVK101035A-811	TALL HDPE SPLIT BASE PEDESTAL. This has 2 horizontal brackets for mounting accessories. INCLUDES STAKE	HDPE SPLIT BASE PEDESTAL, UNVENTED GREEN 10"X10"X35".INCLUDES GROUND MOUNT STAKE, VAPOR Barrier, 811 Label (Substitute Customer Name In P/N For Custom 811 Label), 2 HORIZONTAL BRACKETS FOR ACCESSORY MOUNTING. ORDER ACCESSORIES SEPARATELY. HOOP CAN BE MOUNTED CENTER OR REAR POSITIONS. MOQ 24 Per Pallet			YES, BABA CERTIFIED MADE IN USA

PRECONFIGURED 10"X10"X35" HDPE SPLIT BASE PEDESTAL PRICING (MOQ = 24 pcs -- Total Order Qty must be divisible by 24)					
Distributor Part#	Configuration Summary	Description			BABA CERTIFIED MADE IN USA
CVK101035A-12SCAS&P-811	Inside Enclosure For Expressing, Splicing and Patching 12 Fibers	HDPE SPLIT BASE PEDESTAL, With Ground Mount Stake, UNVENTED GREEN 10"X10"X35", WITH Patch and Splice Housing Loaded With 12 SC/APC SM Adapters, 12 Colored 300 Micron Pigtails For Splicing, Splice Holders, 2 Worm Gear Worm Gear Cable Clamps, 1 Ground Bar, 2 Ground Straps, Cable Clamp and Tieoff Bracket, Wire Saddles, 16"X16" Vapor Barrier, 811 Label (Substitute Customer Name In P/N For Custom 811 Label), 811 Label (Substitute Customer Name In P/N For Custom 811 Label) (24 Per Pallet)			YES, BABA CERTIFIED MADE IN USA
CVK101035A-6SCAS&P-811	Inside Enclosure For Expressing, Splicing and Patching 6 Fibers	HDPE SPLIT BASE PEDESTAL, With Ground Mount Stake, UNVENTED GREEN 10"X10"X35", WITH Patch and Splice Housing Loaded With 6 SC/APC SM Adapters, 6 Colored 300 Micron Pigtails For Splicing, Splice Holders, 2 Worm Gear Cable Clamps, 1 Ground Bar, 2 Ground Straps, Cable Clamp and Tieoff Bracket, Wire Saddles, 16"X16" Vapor Barrier, 811 Label (Substitute Customer Name In P/N For Custom 811 Label) (24 Per Pallet)			YES, BABA CERTIFIED MADE IN USA
CVK101035A-STBKT-811	10" HDPE SPLIT BASE PEDESTAL Configured For Expressing and Splicing Only- Order Splice Tray Separately Or Provide Your Own	HDPE SPLIT BASE PEDESTAL, Medium With Ground Mount Stake, UNVENTED GREEN 10"X10"X32", Loaded With Splice Tray Mounting Kit For Up To Six 1/2" Thick Splice Trays (Order Splice Trays Separately or Provide Your Own), 2 Cable Clamps (Specify Cable Size), 1 Ground Bar, 2 Ground Straps, #6 Ground Wire Clamp, Cable Clamp and Tieoff Bracket, Wire Saddles, 811 Label (Substitute Customer Name In P/N For Custom 811 Label) (24 Per Pallet), 16" X 16" Vapor Barrier. (24 Per Pallet)			YES, BABA CERTIFIED MADE IN USA
CVK101035A-1ST-12SCA-811	10" HDPE SPLIT BASE For Expressing, Splicing and Patching 12 Fibers With 1 Splice tray, 12 pigtails and adapters	HDPE SPLIT BASE PEDESTAL, With Ground Mount Stake, UNVENTED GREEN 10"X10"X35", Loaded With 12 SC/APC SM Adapters, 12 Colored G.657A1 SM 900 Micron Pigtails For Splicing, One Splice Tray Holder, One 24 Fiber Heat Shrink Splice Tray, 2 Worm Gear Cable Clamps, 1 Ground Bar, 2 Ground Straps, Cable Clamp and Tieoff Bracket, 11 Wire Saddles, 16"X16" Vapor Barrier, 811 Label (Substitute Customer Name In P/N For Custom 811 Label) (24 Per Pallet, 720 per truck)			YES, BABA CERTIFIED MADE IN USA
CVK101035A-1ST-811	10" HDPE SPLIT BASE PEDESTAL Configured For Expressing and Splicing Only- Includes 1 X 24 Fiber Heat Shrink Splice Tray	HDPE SPLIT BASE PEDESTAL, With Ground Mount Stake, UNVENTED GREEN 10"X10"X35", Loaded With 1 X 24 Fiber Heat Shrink Splice Tray, 2 Worm Gear Cable Clamps, 1 Ground Bar, 2 Ground Straps, #6 Ground Wire Clamp, Cable Clamp and Tieoff Bracket, Wire Saddles, 16" X 16" Vapor Barrier, 811 Label (Substitute Customer Name In P/N For Custom 811 Label). (24 Per Pallet)			YES, BABA CERTIFIED MADE IN USA
CVK101035A-2ST-811	10" HDPE SPLIT BASE PEDESTAL Configured For Expressing and Splicing Only- Includes 2 X 24 Fiber Heat Shrink Splice Tray	HDPE SPLIT BASE PEDESTAL, With Ground Mount Stake, UNVENTED GREEN 10"X10"X35", Loaded With 2 X 24 Fiber Heat Shrink Splice Tray, 2 Worm Gear Cable Clamps, 1 Ground Bar, 2 Ground Straps, #6 Ground Wire Clamp, Cable Clamp and Tieoff Bracket, Wire Saddles, 16" X 16" Vapor Barrier, 811 Label (Substitute Customer Name In P/N For Custom 811 Label). (24 Per Pallet)			YES, BABA CERTIFIED MADE IN USA

*Call your FiberSource Representative for type availability. Some variations may have limited availability or may be subject to minimum order

Phone 888.342.3776 | orders@fibersource.net | www.FiberSource.net



CVK101035A-1ST-2OSPSCA-811	2 Corning Optitap® Compatible Patching and Splicing	HDPE SPLIT BASE PEDESTAL, With Ground Mount Stake, UNVENTED GREEN 10"X10"X35" Loaded With 2 OSPSCA Corning Optitap® Compatible Adapters With Space For 6 Additional Adapters, 2 X 2 mm Yellow Jacket 3 meter long Pigtaills For Splicing, 1X 24 Fiber Heat Shrink Splice Tray, 2 Worm Gear Cable Clamps, 1 Ground Bar, 2 Ground Straps, Cable Clamp and Tieoff Bracket, 811 Label (Substitute 811 For Customer Name) 24 Per Pallet			YES, BABA CERTIFIED MADE IN USA
CVK101035A-1ST-4OSPSCA-811	4 Corning Optitap® Compatible Patching and Splicing	HDPE SPLIT BASE PEDESTAL, With Ground Mount Stake, UNVENTED GREEN 10"X10"X35" Loaded With 4 OSPSCA Corning Optitap® Compatible Adapters With Space For 4 Additional Adapters, 4 X 2 mm Yellow Jacket 3 meter long Pigtaills For Splicing, 1 X 24 Fiber Heat Shrink Splice Tray, 2 Worm Gear Cable Clamps, 1 Ground Bar, 2 Ground Straps, Cable Clamp and Tieoff Bracket, 811 Label (Substitute 811 For Customer Name) 24 Per Pallet			YES, BABA CERTIFIED MADE IN USA
CVK101035A-1ST-8OSPSCA-811	8 Corning Optitap® Compatible Patching and Splicing	HDPE SPLIT BASE PEDESTAL, With Ground Mount Stake, UNVENTED GREEN 10"X10"X35" Loaded With 8 OSPSCA Corning Optitap® Compatible Adapters, 8 X 2 mm Yellow Jacket 3 meter long Pigtaills For Splicing, 1 X 24 Fiber Heat Shrink Splice Tray, 2 Worm Gear Cable Clamps, 1 Ground Bar, 2 Ground Straps, Cable Clamp and Tieoff Bracket, 811 Label, (Substitute 811 For Customer Name) 24 Per Pallet			YES, BABA CERTIFIED MADE IN USA
CVK101035A-PPC-811	35" TALL With Terminal For Expressing, Splicing, or Patching (Splice Tray Included)	HDPE SPLIT BASE PEDESTAL, Medium With Ground Mount Stake, UNVENTED GREEN 10"X10"X35", WITH GUIDE BRACKET AND STAKE, Loaded With PAT-SS12XXX-001 PEDESTAL Terminal (6W x 17H x 4.5D) Splice Only 12F/24F Splice Tray, two (0.6 inch max) cable ports with two single tie down ground lugs, easy lay-in grommets for twelve round or flat drops with twelve strength member tie downs, dual 216c captive screws, pole/ PEDESTAL/wall mount bracket, supports mid-span access. Deep Cover for adding a second Splice Tray or a 12port SC-APC Patch and Splice Sub-Assembly. (24 Per Pallet) SUBSTITUTE 811 FOR OTHER CUSTOMER NAME AS NECESSARY			YES, BABA CERTIFIED MADE IN USA
CVK101035A-PPC-12SCA-811	35" TALL With Terminal For Expressing, Splicing, or Patching (Splice Tray, 12 SCA Adapters and Colored Pigtaills Included)	HDPE SPLIT BASE PEDESTAL, Medium With Ground Mount Stake, UNVENTED GREEN 10"X10"X35", WITH GUIDE BRACKET AND STAKE, Loaded With PAT-SS12XXX-001 PEDESTAL Terminal (6W x 17H x 4.5"D) Patch and Splice With 12F/24F Splice Tray, 12 SCA Adapters and Pigtaills, two (0.6 inch max) cable ports with two single tie down ground lugs, easy lay-in grommets for twelve round or flat drops with twelve strength member tie downs, dual 216c captive screws, pole/ PEDESTAL/wall mount bracket, supports mid-span access. Deep Cover for adding a second Splice Tray or a 12port SC-APC Patch and Splice Sub-Assembly. (24 Per Pallet) SUBSTITUTE 811 FOR OTHER CUSTOMER NAME AS NECESSARY			YES, BABA CERTIFIED MADE IN USA

Optitap® is a registered trademark of Corning Optical Communications

*Call your FiberSource Representative for type availability. Some variations may have limited availability or may be subject to minimum order

Phone 888.342.3776 | orders@fibersource.net | www.FiberSource.net